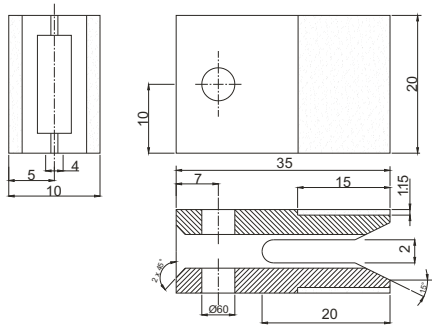
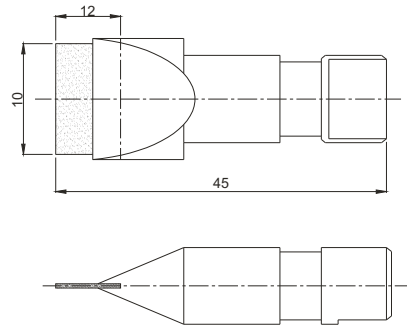


Special Blades



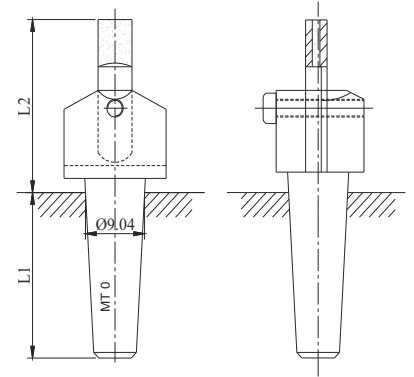
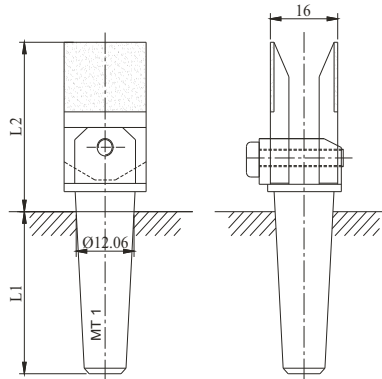
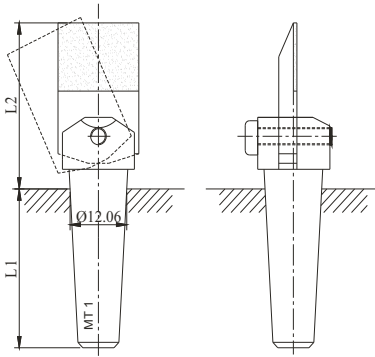
Tool Code
SB6GT-2B

Special Twin Blade



Tool Code
SB7GT

Blade Dresser With Adjustable Holders



Blade Dresser With Rigidly Fix In The Shank

